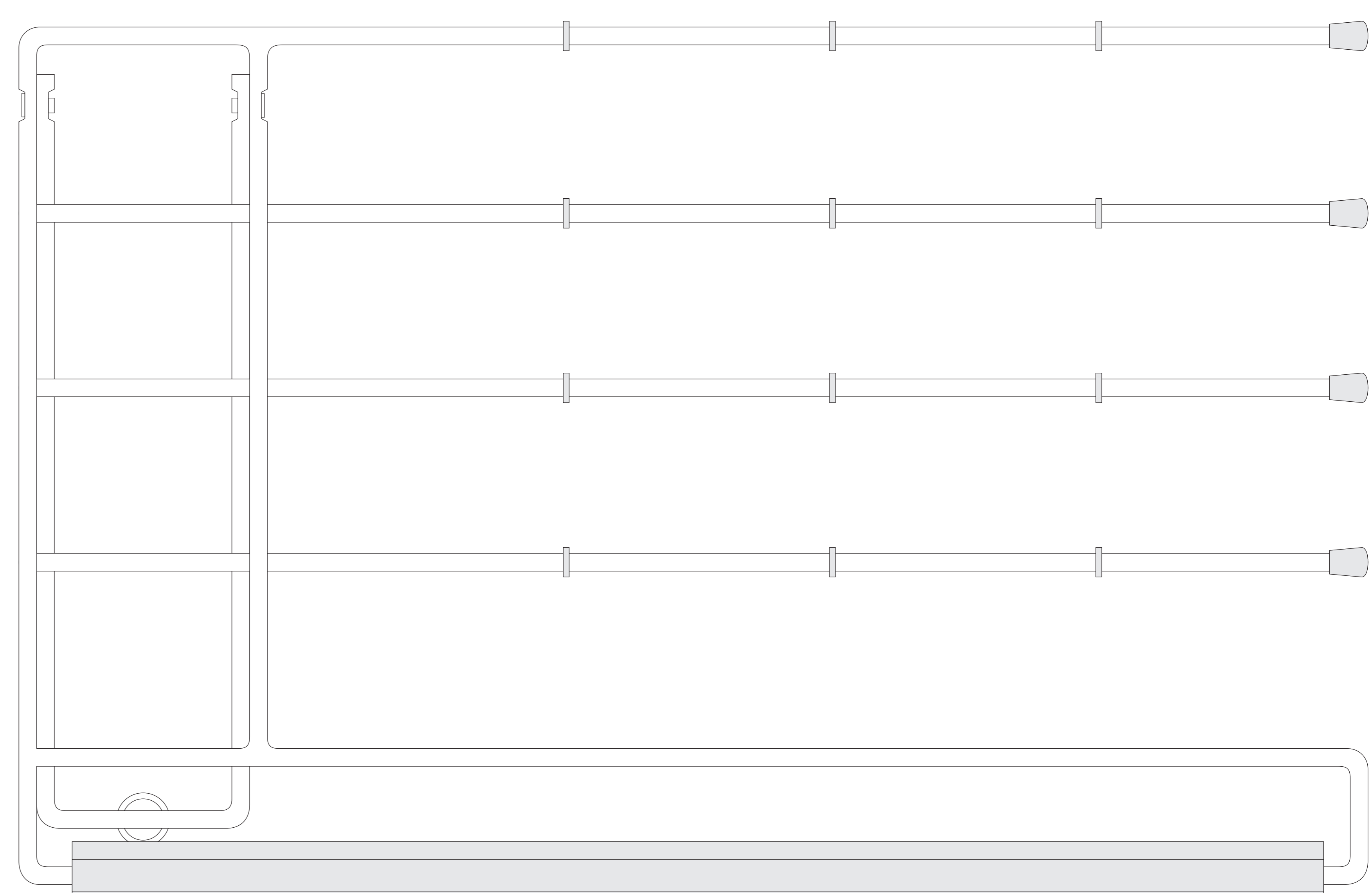
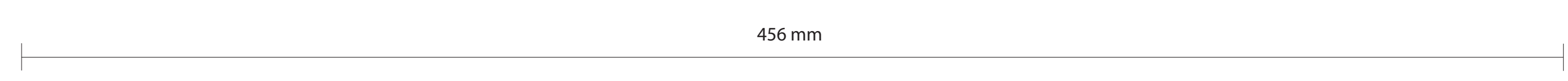
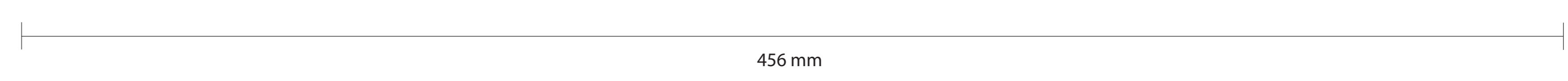
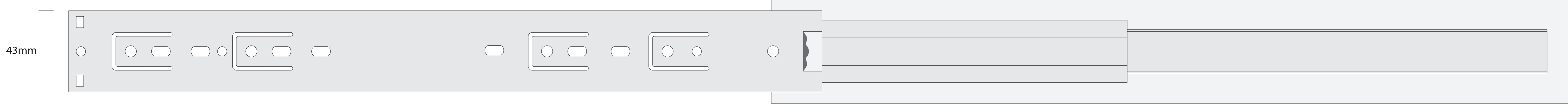
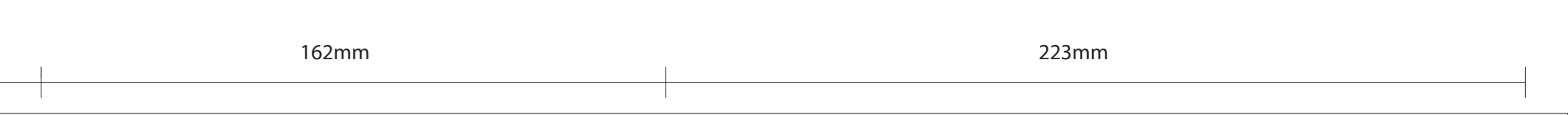
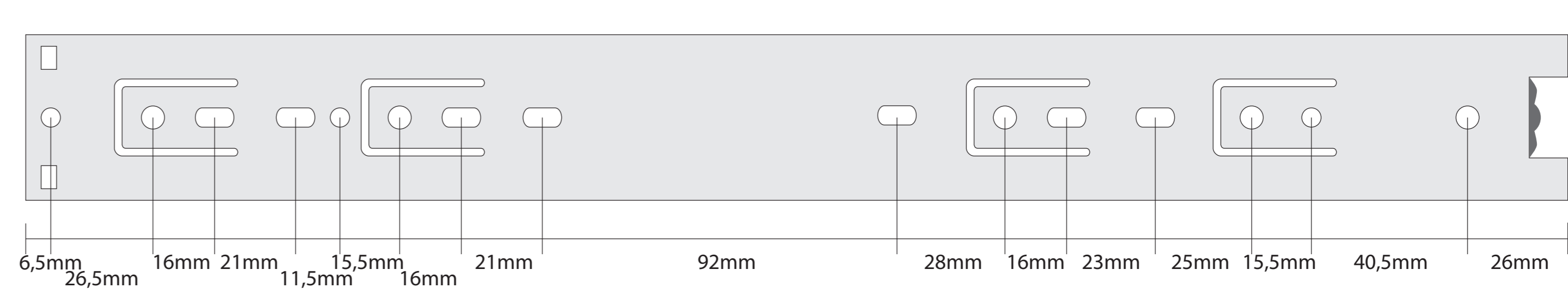


312 mm



312 mm



technical drawing (scale 1:1)
G5 R

mi
more inside

technical drawing (scale 1:1)
G5 L

mi
more inside